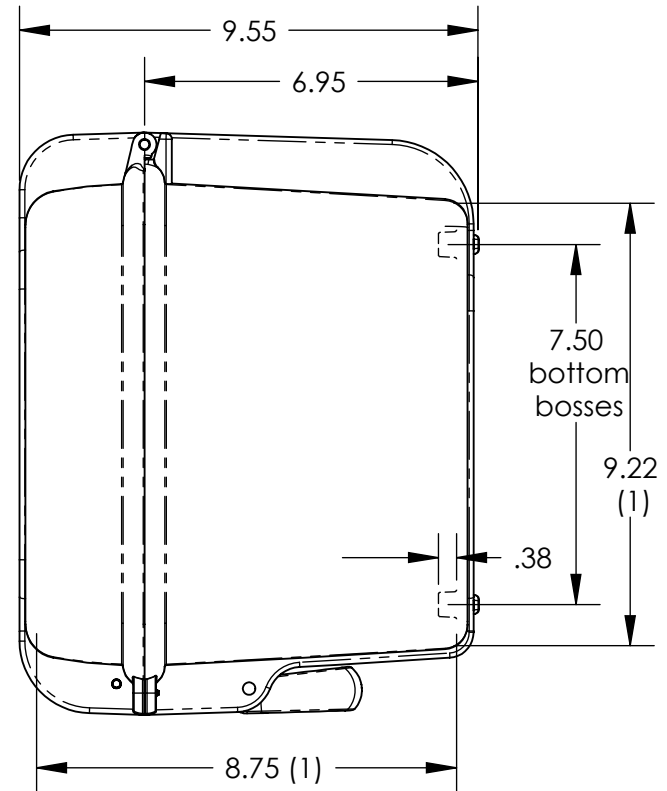
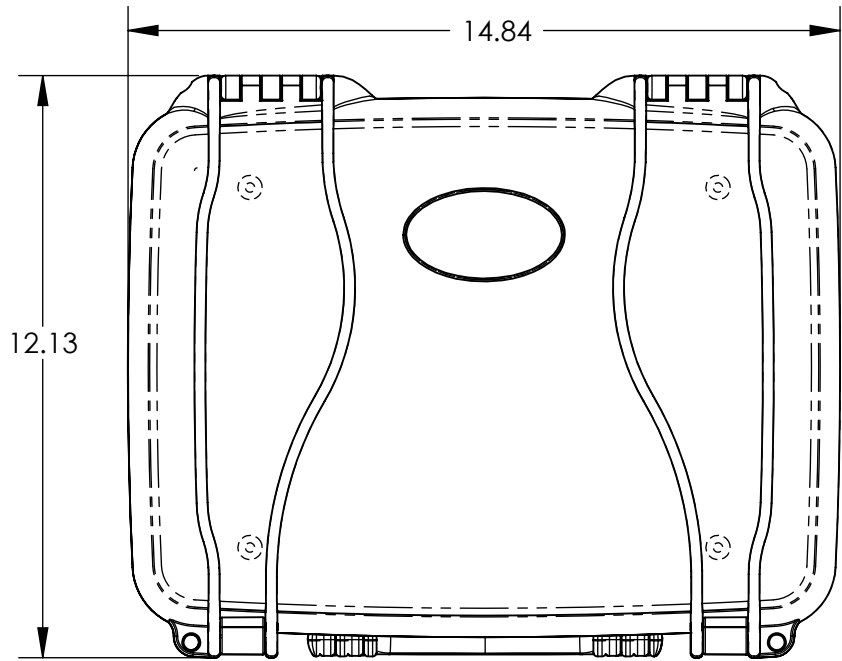
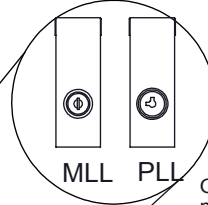


SERPAC R-540

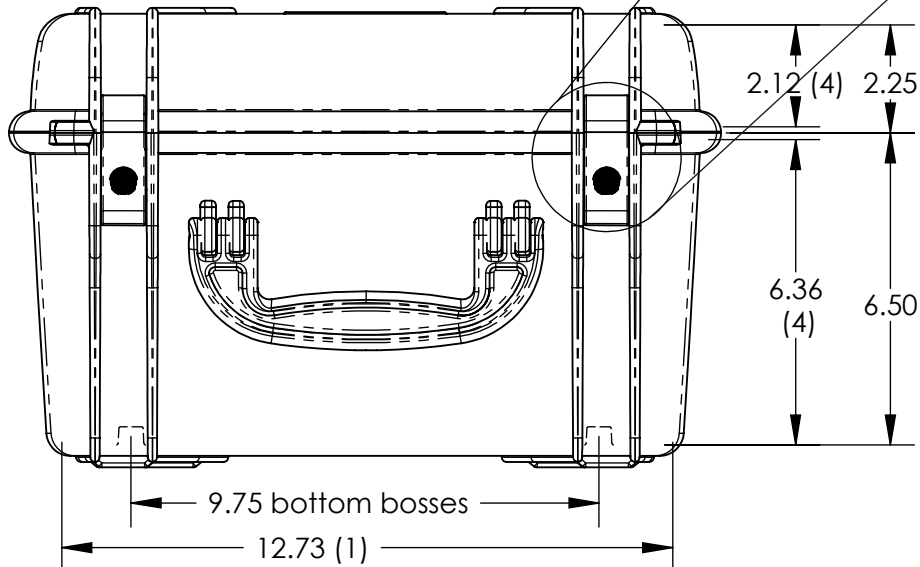
Electronic Enclosures



Optional latches (2)



Optional latches must be specified at time of order.



NOTES:

- 1) Max. usable inside dimensions are: 12.73" X 9.22" X 8.75" dim. are approx. (curved case)
- 2) Metal Locking Latches p/n MLL and Plastic Metal Latches p/n PLL are optional.
- 3) Bosses on bottom use a 1/4 self tapping screw.
- 4) dimensions to bottom of panel flange